

Installation instructions for KZNG5-02057-00, KZNG5-02058-00  
Under Run Protective Shield Engine Bay and Transmission Case

**TOYOTA Highlander**



**TOYOTA Highlander**



**LEXUS**

**RX 200t; 350; 450h**



**LEXUS**

**RX 270; 350; 350 L; 450h**



Model Year:	Highlander 2010 - 2014 - 2016 -	RX270 04.2009 - 10.2015	RX 350 (350 L) 04.2009 - 10.2015 -	RX 450h 04.2009 - 10.2015 -	RX200t 10.2015 -
Vehicle Code:	GSU45L-BRAGKX ASU50L-ARTNKX ASU50L-ARTGKX GSU55L-ARTNKX GSU55L-ARTGKX	AGL10L-AWTGKW GGL15L-AWTGKW GYL15L-AWXGKW	AGL20L-AWTGZW AGL25L-AWTGZW GGL25L-AWZGBW GYL25L-AWXGBW	AGL20L-AWTGZW AGL25L-AWTGZW GGL25L-AWZGBW GYL25L-AWXGBW	AGL20L-AWTGZW AGL25L-AWTGZW GGL25L-AWZGBW GYL25L-AWXGBW

Part Number: Steel: KZNG5-02057-00  
Aluminium: KZNG5-02057-00



Weight:

Steel: 8,5 kg  
Aluminium: 5,14 kg

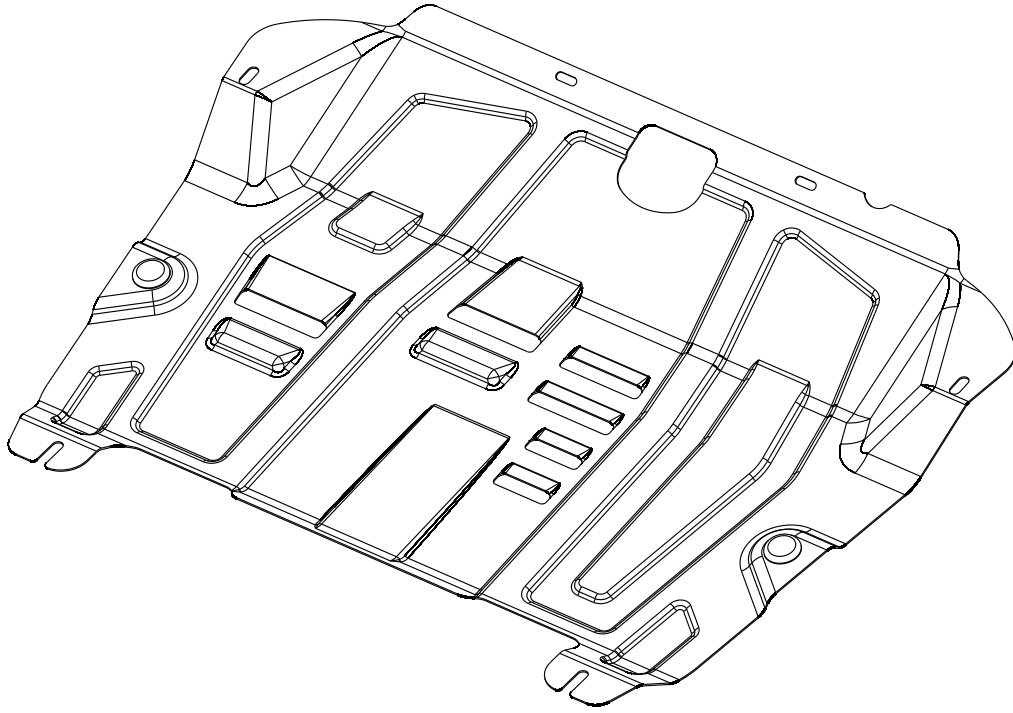


Installation Time:

20 min

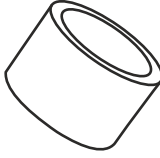
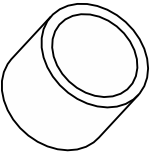
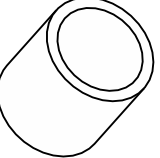
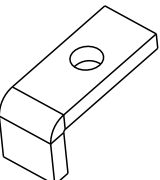







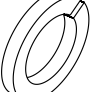
KZNG5-02057-00, KZNG5-02058-00

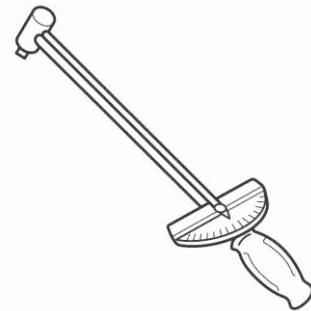
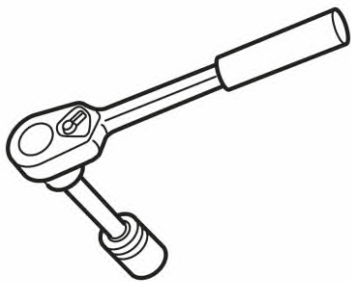
**A**



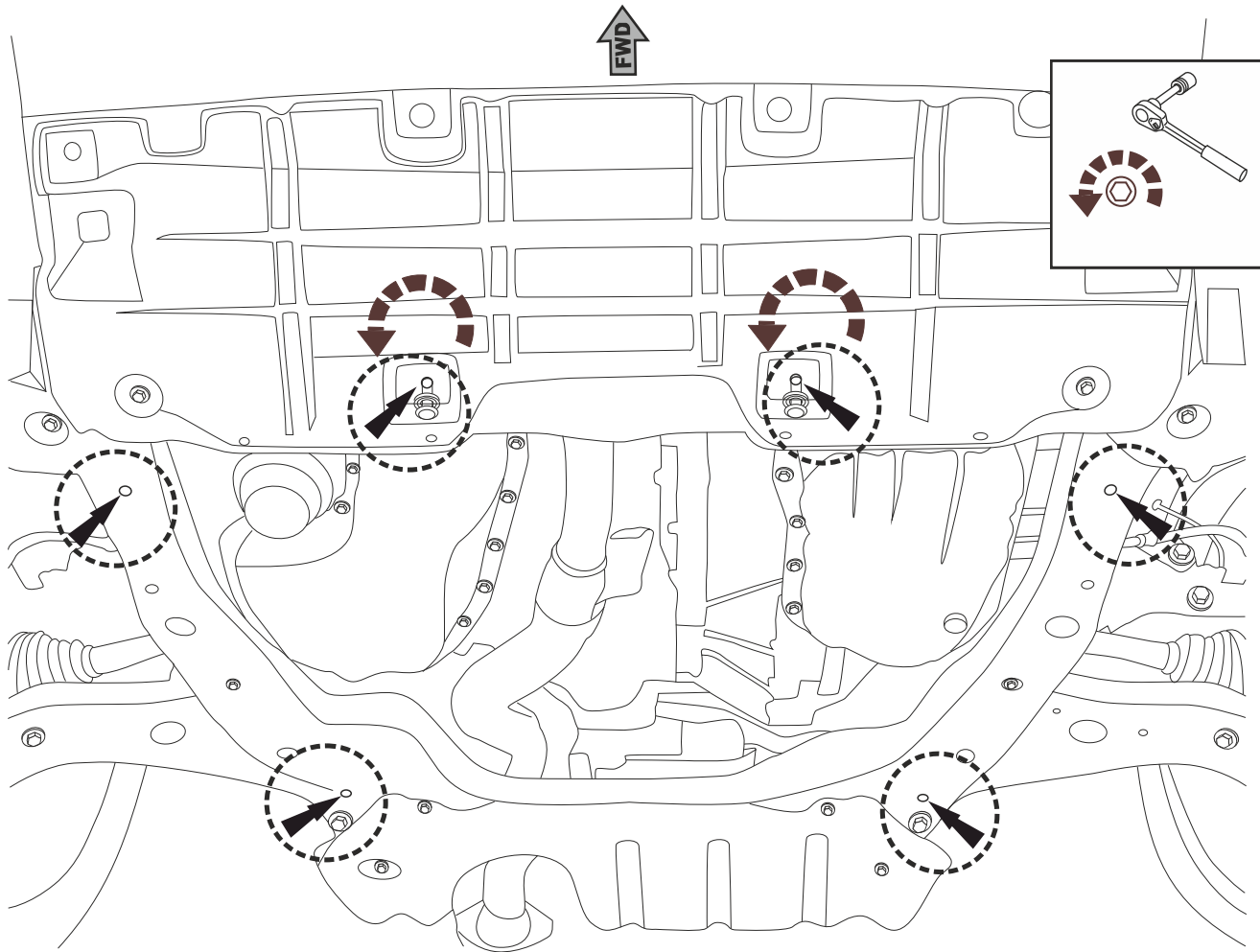
1x

KZNG5-02057-60

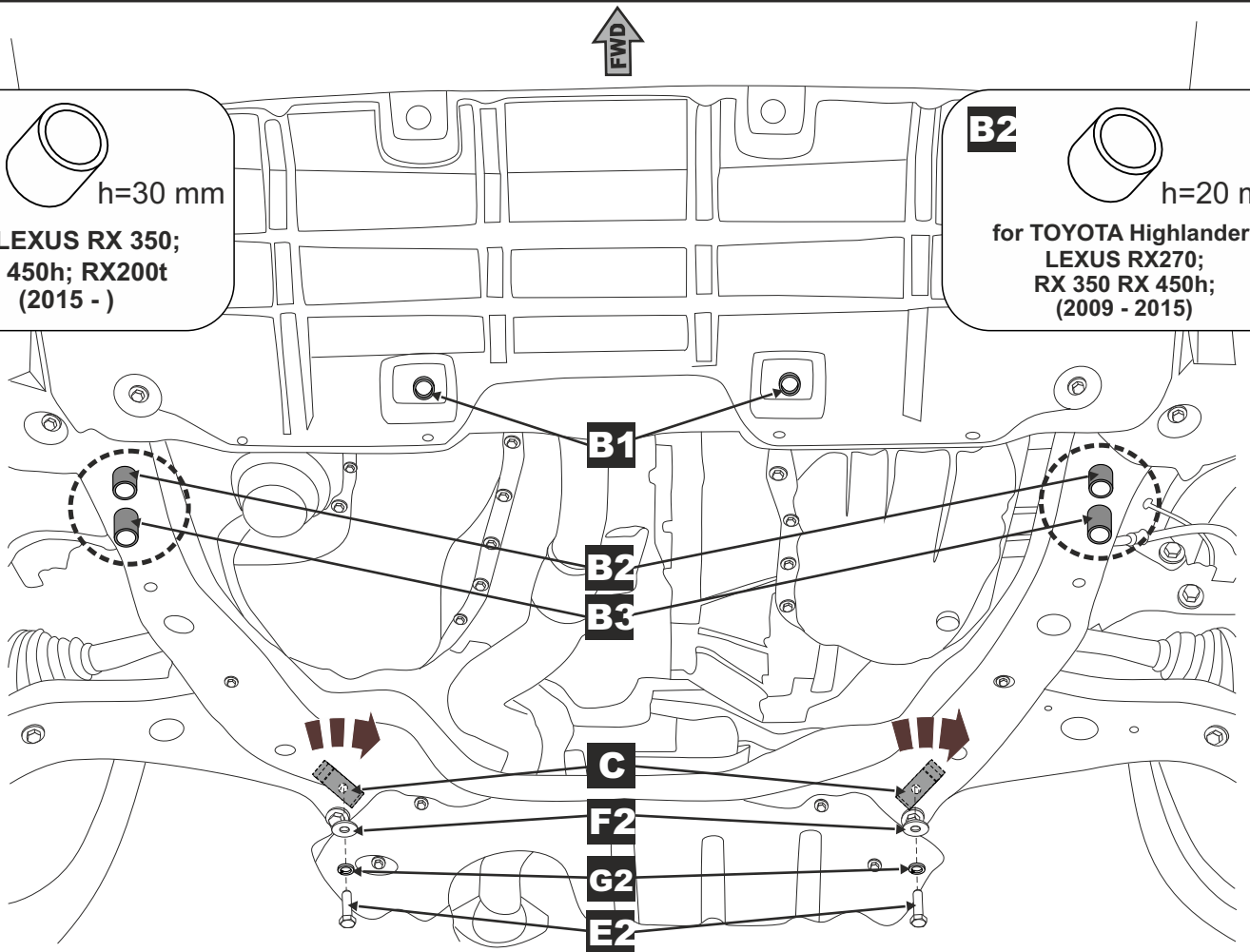
<p><b>B1</b></p>  <p>h=15 mm 2x</p>	<p><b>B2</b></p>  <p>h=20 mm 2x</p>	<p><b>B3</b></p>  <p>h=30 mm 2x</p>	<p><b>C</b></p>  <p>2x</p>	<p><b>D</b></p>  <p>2x</p>	<p><b>E1</b></p>  <p>M6x30 2x</p>
<p><b>E2</b></p>  <p>M10x80 2x</p>	<p><b>E3</b></p>  <p>M10x100 2x</p>	<p><b>F1</b></p>  <p>d=6 2x</p>	<p><b>F2</b></p>  <p>d=10 6x</p>	<p><b>G1</b></p>  <p>d=6 2x</p>	<p><b>G2</b></p>  <p>d=10 4x</p>



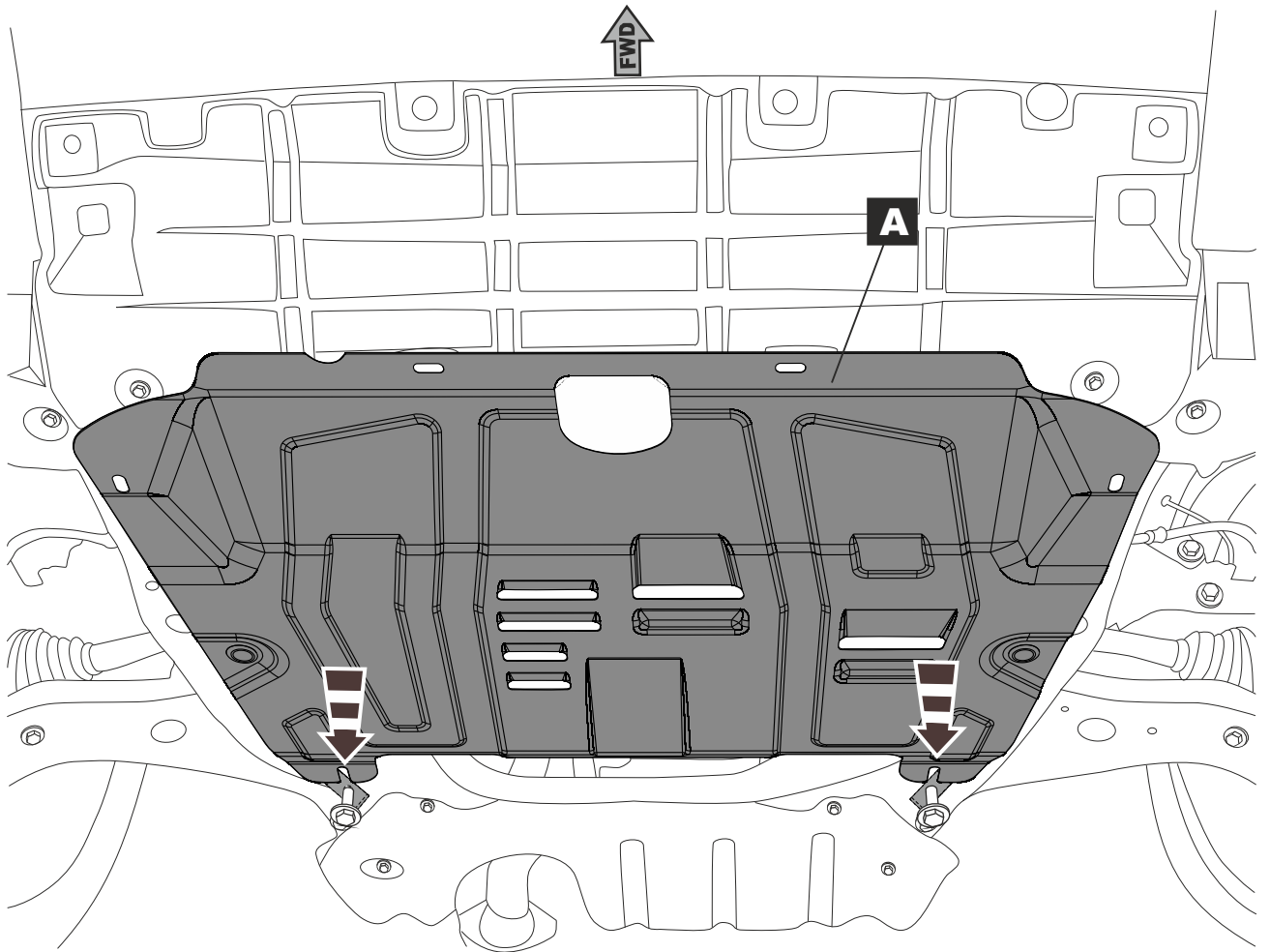
1



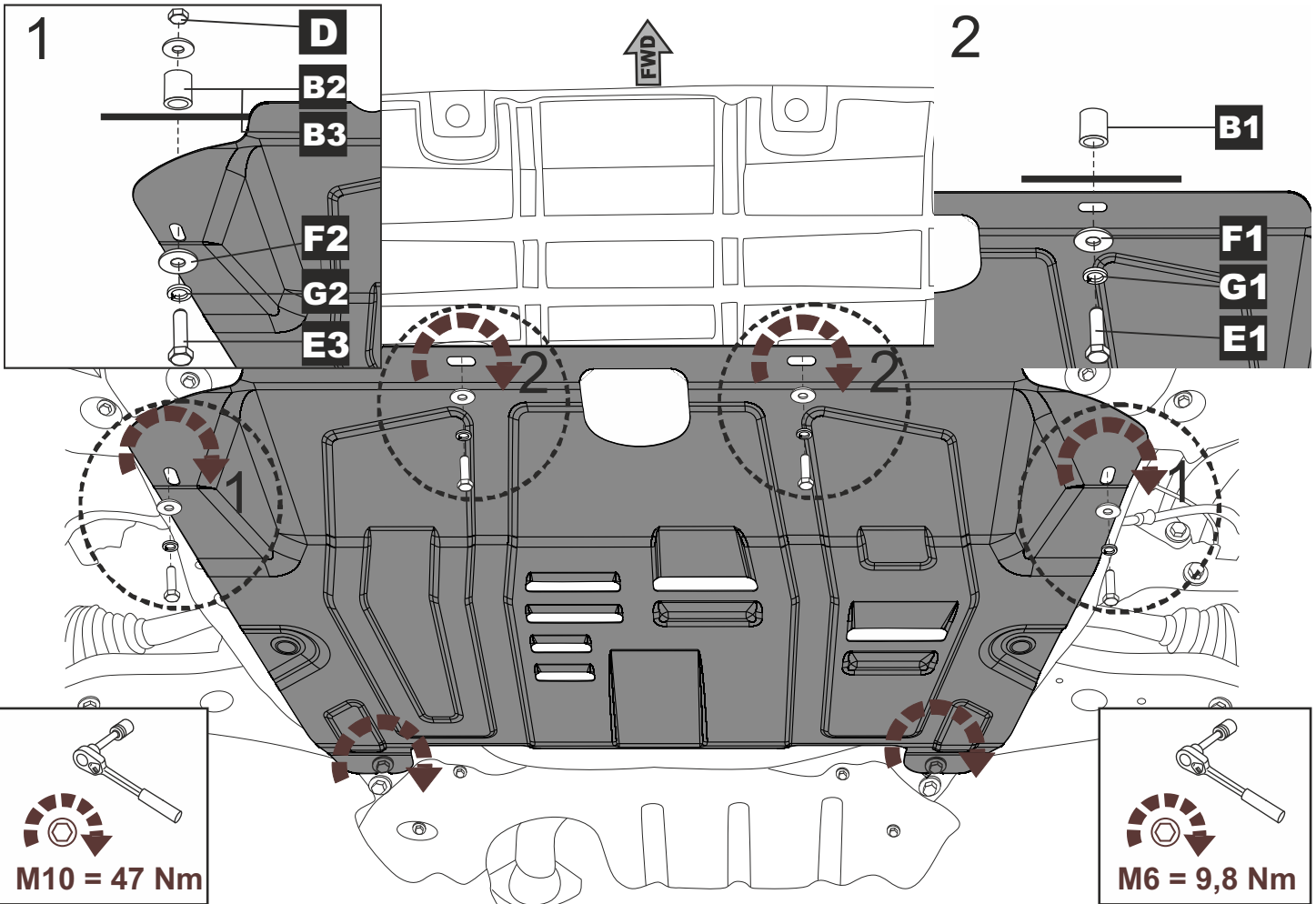
2

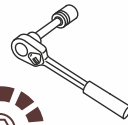


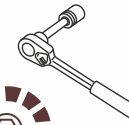
3



4



  
**M10 = 47 Nm**

  
**M6 = 9,8 Nm**

5

